

# ARCHIMEDE



Top Finishes  
Melamine (MFC)  
Perfect Sense  
Writable Laminate.

Steel sheet metal Flip top mechanism  
with handles. Black Polypropylene  
(PP) cover.

Leg with oval steel pipe column  
60x30 mm with conical end,  
elliptical steel pipe feet 60x30 mm.  
Epoxy powder painting  
Black RAL 9005  
White RAL 9003  
Grey  
Black column with Chromium feet.

Swivel castor with kick pedal brake  
ø 75 mm.  
Polyamide support with anti-trace  
thermoplastic rubber tread.

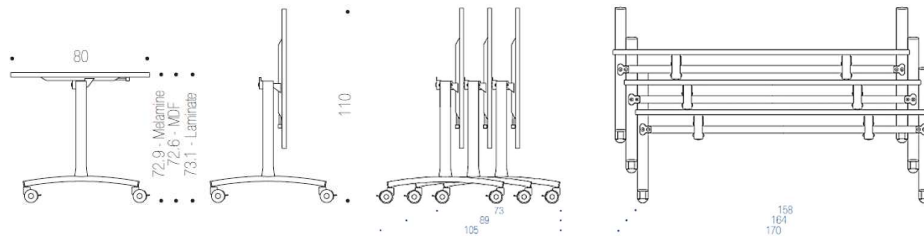
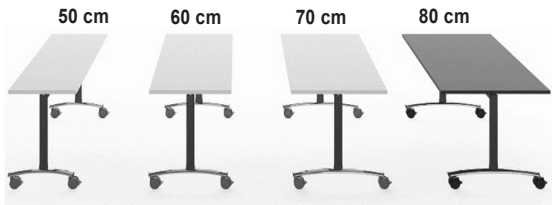


Grey linking device in  
nylon to join table tops  
(optional).  
4 or 6 resealable module (White,  
Black or Grey) painted steel for  
electricity and/or multimedia system.  
Available with single cable  
management (optional).

Black Polypropylene (PP)  
cable management.

Modesty panel  
MCF  
Lacquered MDF in Perfect Sense  
(optional).

Steel sheet metal vertical cable  
management (optional).



## Structure Finishes



Leg with oval steel pipe column 60x30 mm with conical end, elliptical steel pipe feet 60x30 mm.  
 Epoxy powder painting.  
 4 Finishes available:  
 Black RAL 9005  
 White RAL 9003  
 Grey  
 Black column with Chromium feet.

## Top Finishes



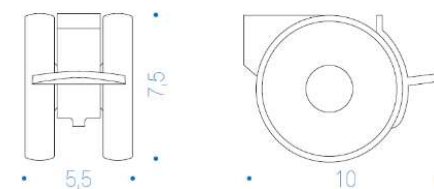
ibebi.com\_T. + 39 0421 244 244 - Via A. Manzoni, 27 Fossalta di Portogruaro VE ITALIA



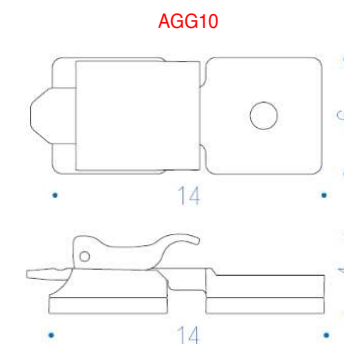
Swivel castor with kick pedal brake  $\varnothing$  75 mm. Polypropylene support with thermoplastic rubber tread. Suitable for carpet floors. Load capacity (static) 120 kg.



Pin castor is screwed to the nut placed internally of the nylon castor holder to guarantee lasting resistance.



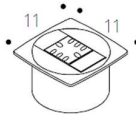
Grey linking device in nylon to join table tops.



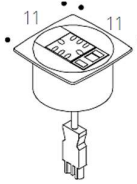


Single module in ABS for electricity and/or multimedia and system cable management.

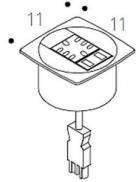
KIT06 / A



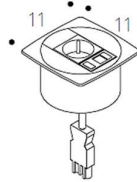
KIT06 / B



KIT06 / C

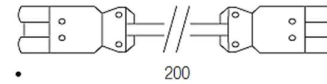


KIT06



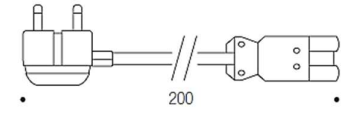
KIT03

Connection cable to joint variable plug power supply system 2 mt (H05VV-F 3G 1.5 mm<sup>2</sup> / GST18 - GST18).



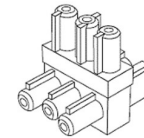
KIT09

Electric cable 2 mt (H05VV-F 3G 1.5 mm<sup>2</sup> / GST18 – Male Socket)



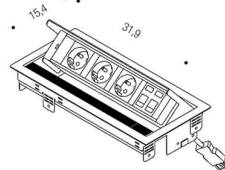
KIT12

Power distributor with 3 poles.

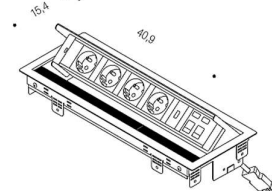


4 or 6 module steel box for electricity and/or multimedia.

KIT07\*

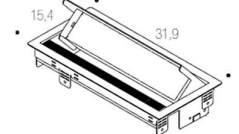


KIT08\*

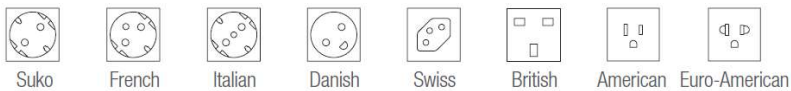


Cable management resealable module (White, Black or Grey) painted steel box.

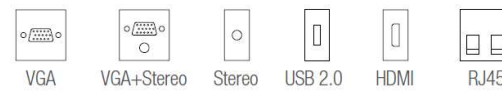
KIT04\*



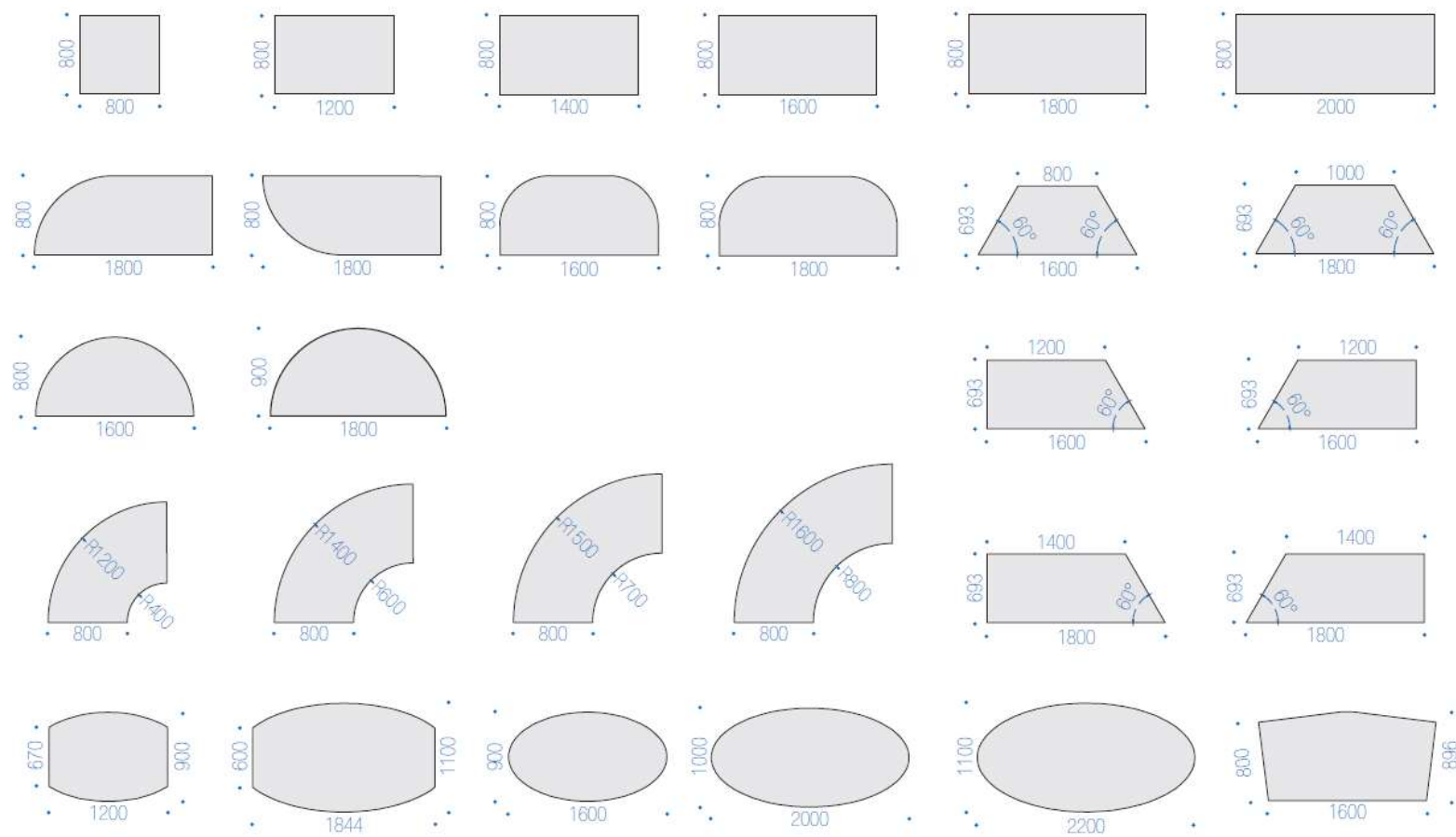
## \*International Sockets



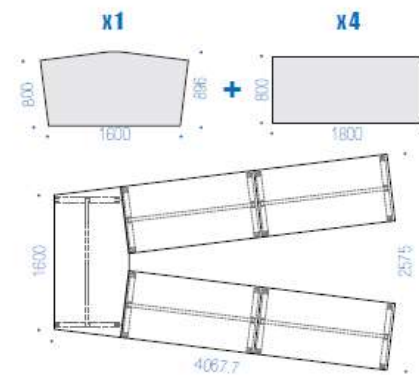
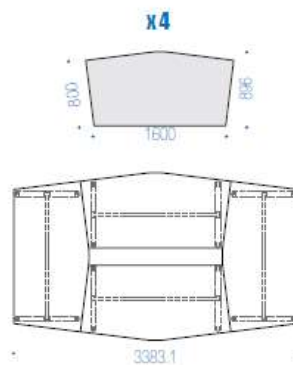
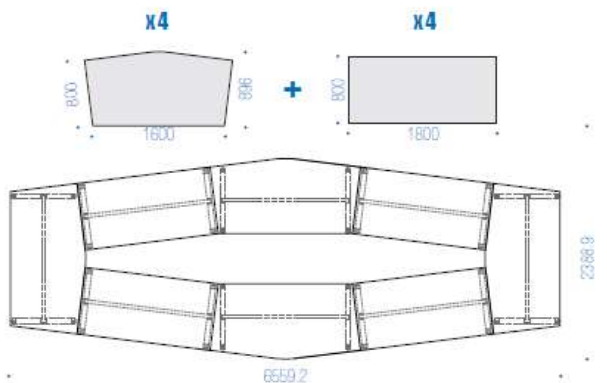
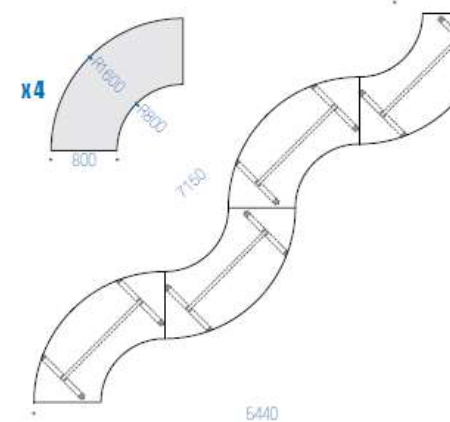
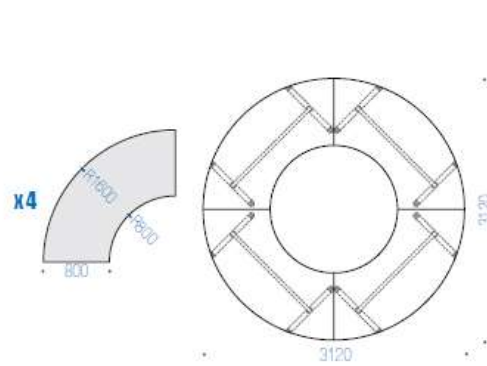
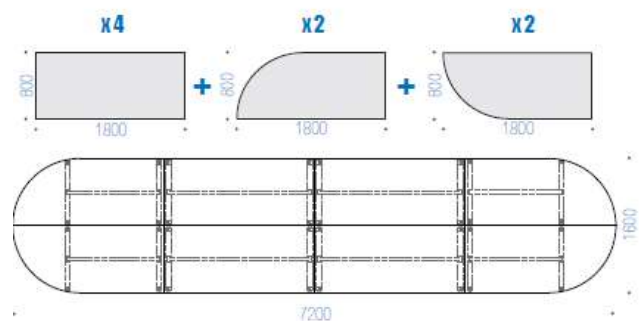
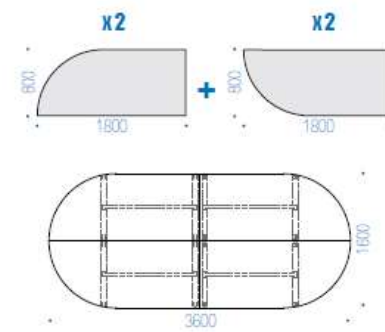
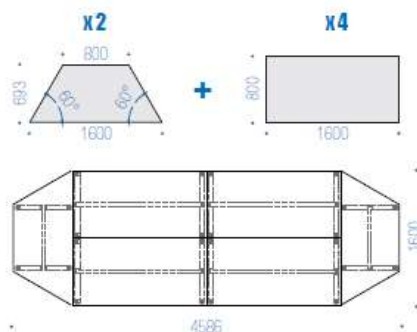
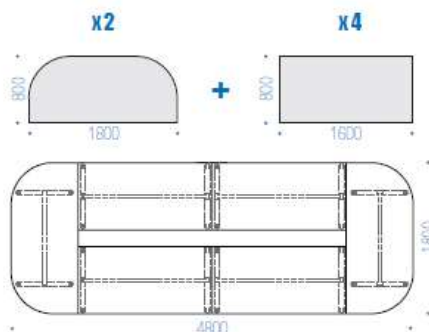
## \*Multimedia Accessories



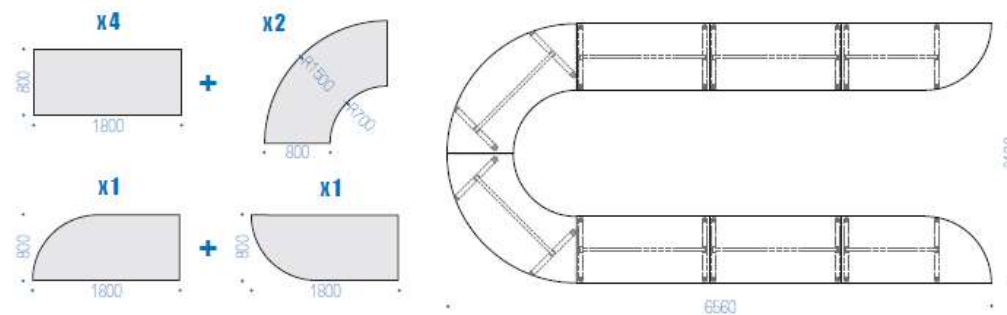
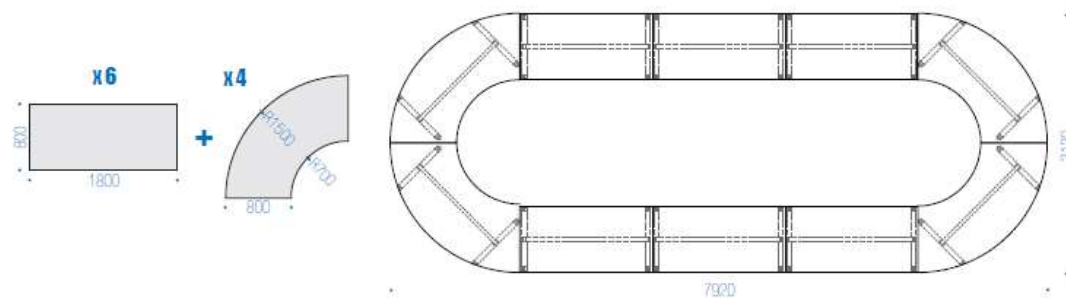
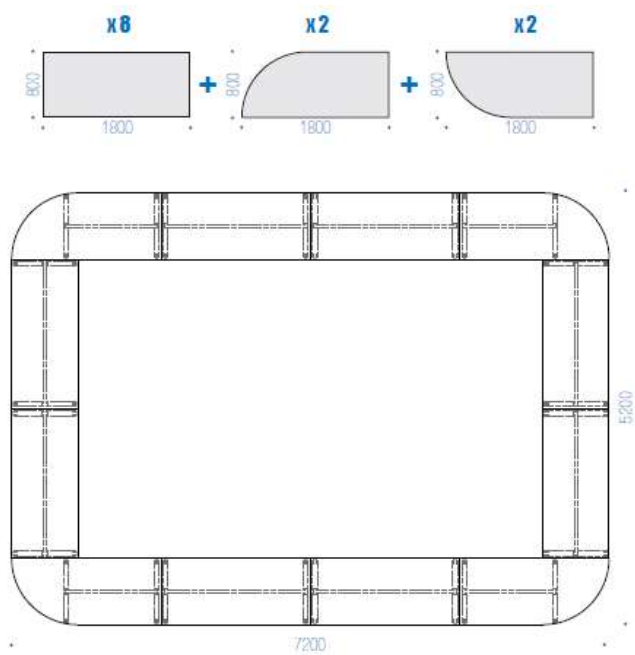
## Shapes and dimension tops



## Compositions



# ARCHIMEDE

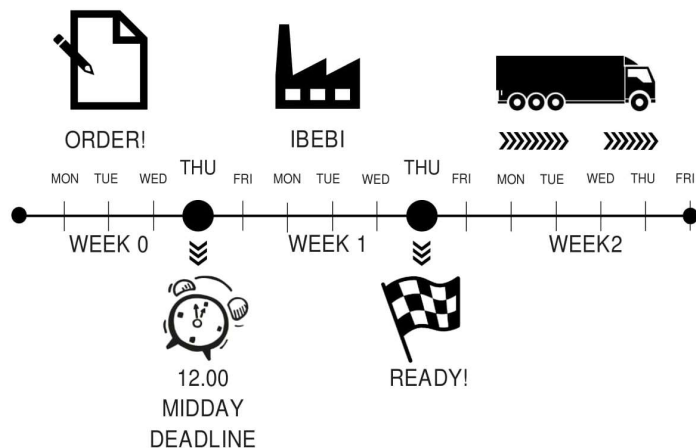




### Prompt Delivery



Available only for the table without electricity and/or multimedia module.



### Cleaning

For the metal parts, we recommend to only use a damp cloth with alcohol and to dry all very well after cleaning. For the lacquered top, use a damp cloth with neutral liquid detergent. Do not use solvents, trichloroethylene, acetone or ammonia.

### Guaranteed

Our products are guaranteed for 5 years. (detailed guarantee document available upon request).



UNI EN 1730:2000

Compliance certificate with BS EN 15372:2008, level 3° severe.